

RF/MICROWAVE DIVISION



Interconnect Products & Capabilities

Introducing BJG Electronics Group's high caliber RF/Microwave capabilities and custom product lines for mil-aero applications.



Our two state-of-the-art facilities in New York and New Jersey are dedicated to design, fabrication, and testing of RF/Microwave products. In conjunction with carefully selected NADCAP certified special processors and military standard base material, BJG's industry-leading talent ensures purpose-built RF products of only the highest quality are provided to our customers.



RF/MICROWAVE CAPABILITIES



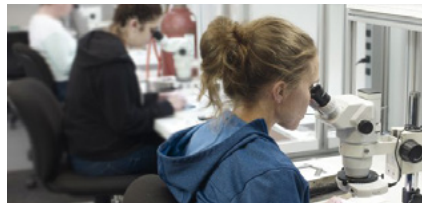
Precision High-Speed Machining

- Swiss Style CNC Lathes
- Precision Body Machining
- Intricate Contact Machining



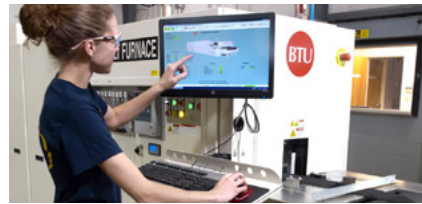
CNC Milling

- Multiport Header Manufacturing
- Precision Tooling



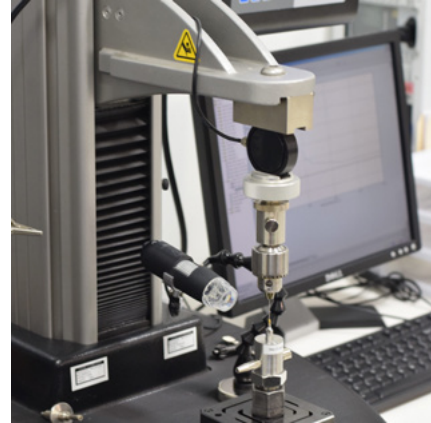
In-House Component Finishing

- Inert Environment Heat Treating
- Precision Deburring



Glass to Metal Belt Furnace

- Computer Controlled Belt Furnace
- Glass to Kovar Matched Seals



In-House Testing and Verification

- Glass Seal Leak Detection Equipment
- Plating Thickness Verification
- Insertion and Withdraw Force Verification
- High Precision Optical and Mechanical Inspection Equipment
- Electrical Performance Verification from DC through 50GHz



Precision Cable Manufacturing

- CNC 3-D Semi-Rigid Cable Bender
- Precision Cable Cutting Equipment
- Precision Cable Preparation Equipment
- Testing and Verification from DC through 50GHz

Prototyping

- Responsive Turnaround Times – Efficient Process From Initial Concept To Delivery Through Our In House Design and Engineering Teams
- Utilization of In House Capabilities, Including:
 - 3D Design and Modeling
 - Electrical Simulation for Performance Validation.
 - Fabrication by means of Milling, Turning or 3D Printing
 - On Site Lab For All Standard Product Requirements and Established Relationships With Nationally Accredited Test Labs For Any Additional Needs



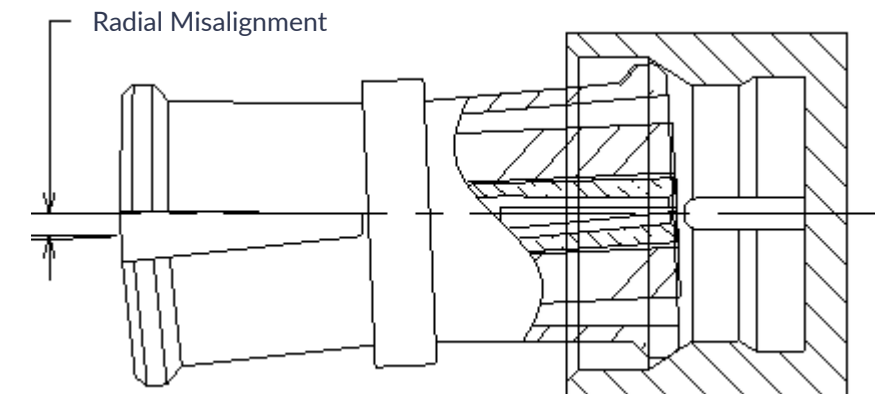
RF/MICROWAVE INTERCONNECTS SPECIFICATIONS

High-Density Blindmate Microwave Interconnects for Frequencies up to 65 GHz:

- **SMP Subminiature Push-On**
 - MIL-STD-348
 - 0.134" O.D. x 0.254" O.A.L.
 - Center to Center spacing 0.170"
 - Radial Misalignment 0.010"
- **SMPM Sub-Subminiature Push-On**
 - 0.108" O.D. x 0.210" O.A.L.
 - Center to Center spacing 0.135"
 - Radial Misalignment 0.010"

Low Mass, High-Density Microwave Connectors for Frequencies up to 110 GHz:

- **BJG100 Very High-Density Push-On**
 - Custom-sized interfaces
 - 0.070" O.D. x .100" O.A.L.
 - Center to Center spacing 0.080"
 - Radial Misalignment 0.012"
- **BJGW**
 - Custom-sized interfaces
 - 0.068 O.D. x 0.098 O.A.L.
 - Center to Center spacing .085"
 - Radial Misalignment 0.012"
- **BJG65**
 - Custom-sized interfaces
 - 0.053 O.D. x 0.0655 O.A.L.
 - Center to Center spacing .060"
 - Radial Misalignment 0.012"



BJG connectors accommodate radial and axial misalignment with minimal alteration in VSWR.



Precision Test Adapters

- 3.5mm
- 2.92mm
- 2.4mm
- 1.85mm
- SMA

BJG Electronics Group designs and fabricates interfaces as a critical building block in our family of high-performance, production-grade RF and microwave interconnects. Using NIST traceable calibration standards, accurate measurements of devices are supported by our phase and loss matched adapters, thereby increasing development and production testing speeds. BJD Electronics Group maintains stocking packages on select Precision test adapters and sub-components. Please reach out to us for additional information.